

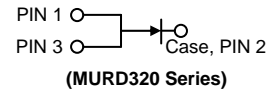
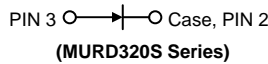
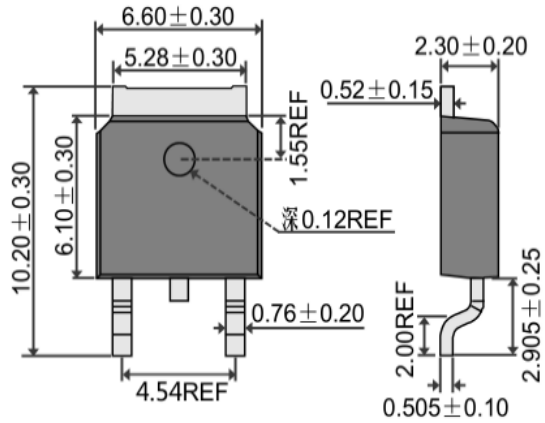
Features

- Fred Chip Planar Construction
- Ideally Suited for Automatic Assembly
- Low Profile Package
- High Surge Current Capability
- Low Power Loss, High Efficiency
- Super-Fast Recovery Time
- Ideally Suited for Use in High Frequency SMPS, Inverters, and As Free Wheeling Diodes

Mechanical Data

- Case: DPAK/TO-252, Molded Plastic
- Terminals: Plated Leads Solderable per MIL-STD-202, Method 208
- Polarity: See Diagram
- Weight: 0.3 grams (approx.)
- Mounting Position: Any
- Marking: Device Code, See Page 3
- **Lead Free: For RoHS / Lead Free Version**

DPAK/TO-252

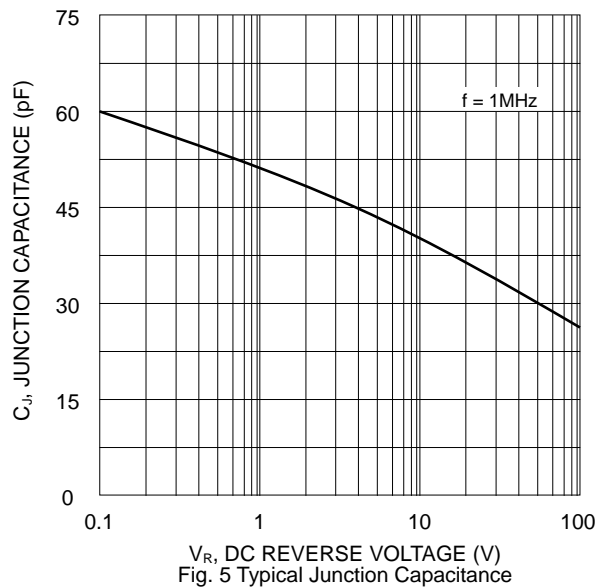
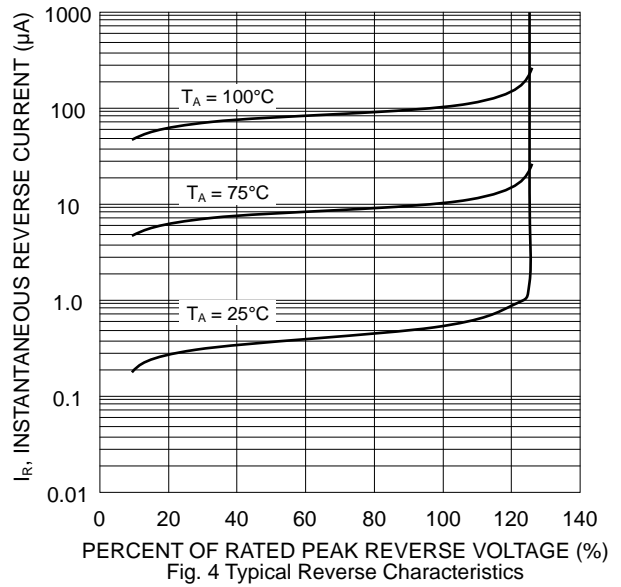
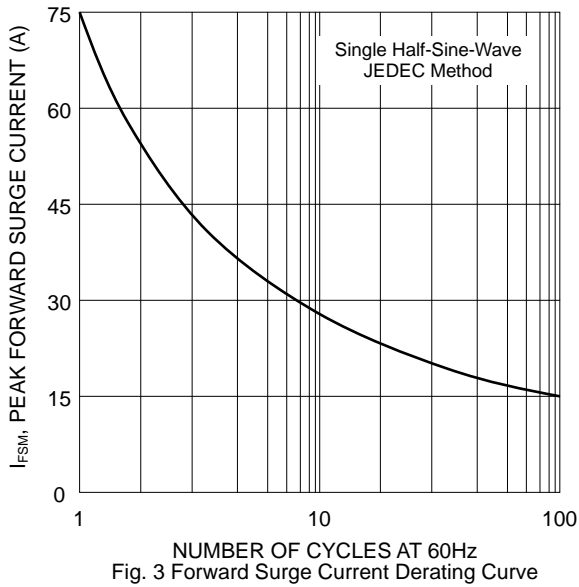
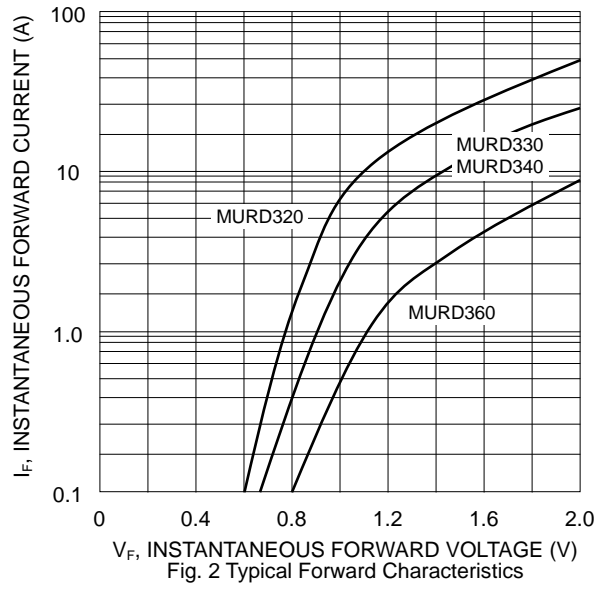
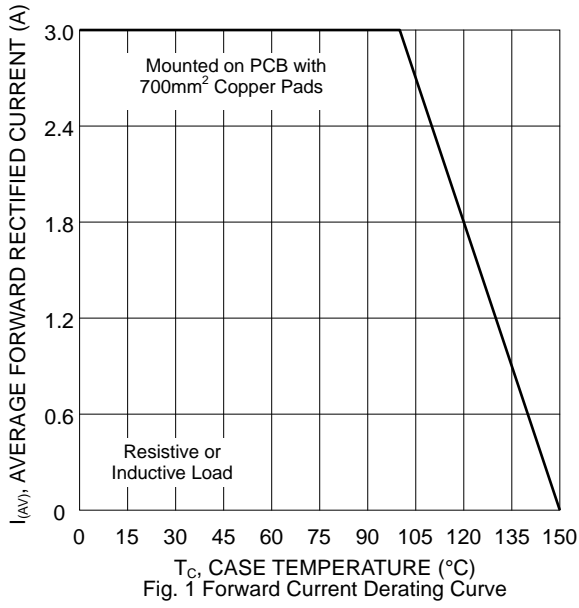


Maximum Ratings and Electrical Characteristics @_{T_A}=25°C unless otherwise specified

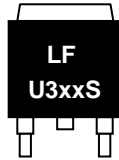
Single Phase, half wave, 60Hz, resistive or inductive load. For capacitive load, derate current by 20%.

Characteristic	Symbol	MURD320/S	MURD330/S	MURD340/S	MURD360/S	Unit
Peak Repetitive Reverse Voltage	V _{RRM}					
Working Peak Reverse Voltage	V _{RWM}	200	300	400	600	V
DC Blocking Voltage	V _R					
RMS Reverse Voltage	V _{R(RMS)}	140	210	280	420	V
Average Rectified Output Current @ _{T_C} = 100°C	I _O	3.0				A
Non-Repetitive Peak Forward Surge Current 8.3ms Single Half Sine-Wave Superimposed on Rated Load (JEDEC Method)	I _{FSM}	75				A
Forward Voltage @ _{I_F} = 3.0A	V _{FM}	0.95	1.25		1.7	V
Peak Reverse Current @ _{T_A} = 25°C	I _{RM}	5.0				μA
At Rated DC Blocking Voltage @ _{T_A} = 100°C		500				
Reverse Recovery Time (Note 1)	t _{rr}	35				nS
Typical Junction Capacitance (Note 2)	C _J	45				pF
Thermal Resistance Junction to Ambient (Note 3)	R _{JA}	49				°C/W
Thermal Resistance Junction to Lead (Note 3)	R _{JC}	2.0				
Operating and Storage Temperature Range	T _J , T _{STG}	-55 to +150				°C

Note: 1. Measured with I_F = 0.5A, I_R = 1.0A, I_{RR} = 0.25A.
 2. Measured at 1.0 MHz and applied reverse voltage of 4.0 V DC.
 3. Mounted on PCB with 700mm² copper pads.

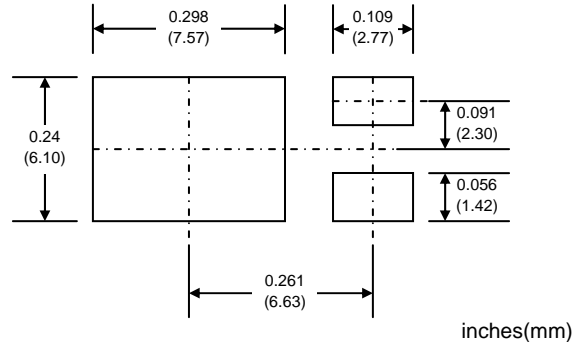


MARKING INFORMATION



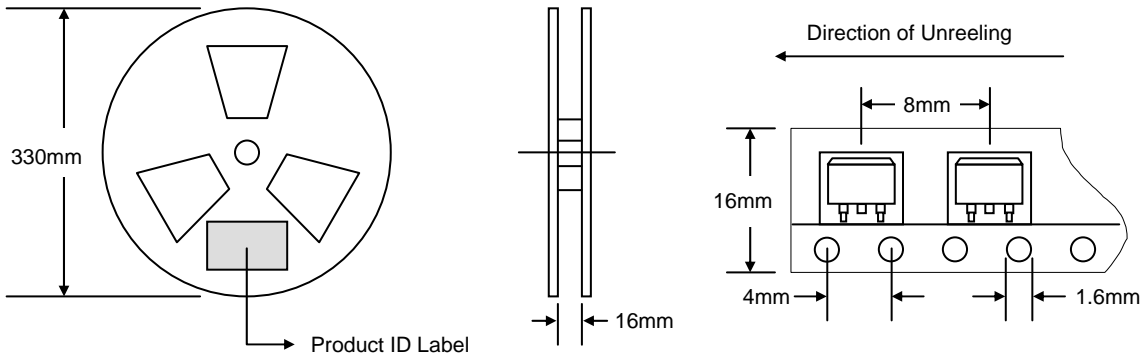
U3xx = Device Number
 xx = 20 (MURD320)
 30 (MURD330)
 40 (MURD340)
 60 (MURD360)
 S = Suffix for MURD320S Series (remove when ordering MURD320 series)

RECOMMENDED FOOTPRINT



PACKAGING INFORMATION

TAPE & REEL



Reel Diameter (mm)	Quantity (PCS)	Inner Box Size L x W x H (mm)	Quantity (PCS)	Carton Size L x W x H (mm)	Quantity (PCS)	Approx. Gross Weight (KG)
330	2,500	340 x 337 x 45	5,000	370 x 370 x 420	40,000	18.0